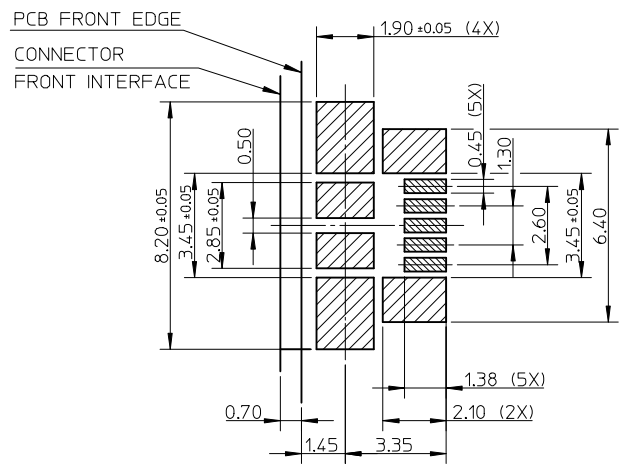


5	GND
4	ID
3	D+
2	D-
1	VBUS
PIN	NAME
PIN ASSIGNMENT	

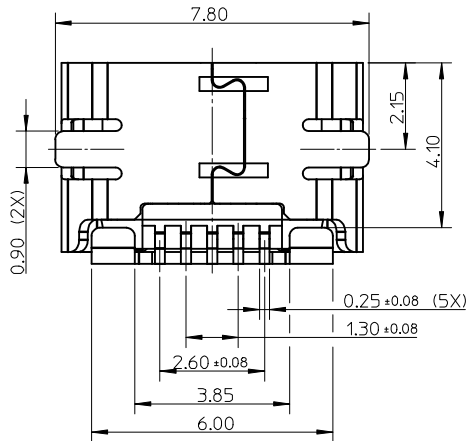
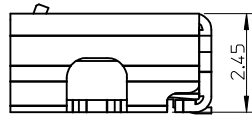
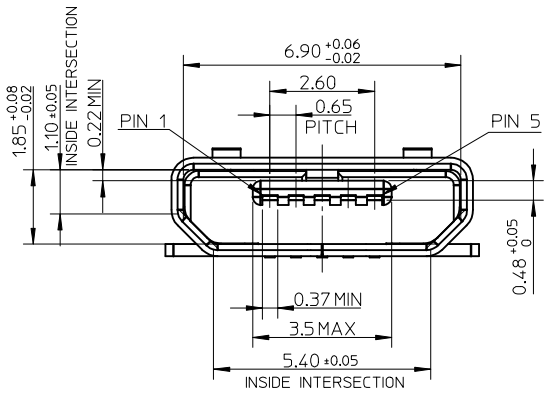
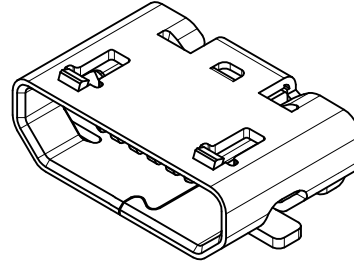
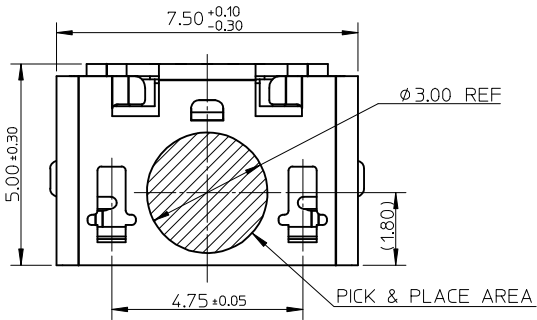
NOTES:

- MATERIAL:
HOUSING: LCP, BLACK, UL94V-0;
TERMINAL: COPPER ALLOY, THICKNESS: 0.15mm;
SHELL: STAINLESS STEEL, THICKNESS: 0.30mm.
- PLATING:
TERMINAL:
CONTACT AREA: GOLD FLASH OVER MINIMUM 0.75MICRON Pd/Ni;
SOLDER TAIL AREA: GOLD FLASH;
UNDER PLATING: NICKEL 2.0MICRON MINIMUM.
SHELL:
MATTE TIN 3.8MICRON MINIMUM;
UNDER PLATING: NICKEL 1.27MICRON MINIMUM.
- TAIL & NAIL COPLANARITY 0.08mm MAXIMUM.
- PRODUCT SPECIFICATION: PS-47346-001.
- PACKAGE SPECIFICATION: PK-47346-001.
- COMPLIANT TO RoHS DIRECTIVE 2002/95/EC AND ELV 2000/53/EC.



RECOMMENDED P.C.B. PATTERN LAYOUT
GENERAL TOLERANCE: ±0.05

ADD PIN ASSIGNMENT EC NO: SH2014-0097 DRWN:XOZHANG 2013/09/02 CHKD:XOZHANG 2013/09/02 APPR:AYTN 2013/09/03	QUALITY SYMBOLS ▽=0 ▽=0 ▽=0	GENERAL TOLERANCES (UNLESS SPECIFIED)		DIMENSION STYLE MM ONLY	SCALE 8:1	DESIGN UNITS METRIC	THIRD ANGLE PROJECTION
		mm	INCH	DRAWN BY XJSONG	DATE 2006/12/11	TITLE MICRO USB B REC. BOTTOM MOUNT ASS'Y	
REV D	DESCRIPTION	4 PLACES	± ---	± ---	CHECKED BY IWANG	DATE 2006/12/11	MATERIAL NO. 47346-0001
		3 PLACES	± ---	± ---	APPROVED BY JNCHEN	DATE 2006/12/11	
ANGULAR ± 3°		DRAFT WHERE APPLICABLE MUST REMAIN WITHIN DIMENSIONS		DOCUMENT NO. SD-47346-001		SHEET NO. 1 OF 2	
THIS DRAWING CONTAINS INFORMATION THAT IS PROPRIETARY TO MOLEX INCORPORATED AND SHOULD NOT BE USED WITHOUT WRITTEN PERMISSION							



SEE SHEET 1 EC NO: SH2014-0097 DRWN: XQZHANG 2013/09/02 CH'KD: XQZHANG 2013/09/02 APPR: AYTN 2013/09/03	REV D	DESCRIPTION QUALITY SYMBOLS $\nabla_{\text{F}}=0$ $\nabla_{\text{F}}=0$ $\nabla_{\text{F}}=0$	GENERAL TOLERANCES (UNLESS SPECIFIED)		DIMENSION STYLE	SCALE	DESIGN UNITS	THIRD ANGLE PROJECTION
					MM ONLY	8:1	METRIC	
					DRAWN BY	DATE	TITLE	
					CHECKED BY	DATE		
					APPROVED BY	DATE		
			MATERIAL NO.	DOCUMENT NO.	SHEET NO.			
			47346-1001	SD-47346-001	2 OF 2			
		ANGULAR $\pm 3^\circ$						
		DRAFT WHERE APPLICABLE MUST REMAIN WITHIN DIMENSIONS		THIS DRAWING CONTAINS INFORMATION THAT IS PROPRIETARY TO MOLEX INCORPORATED AND SHOULD NOT BE USED WITHOUT WRITTEN PERMISSION				